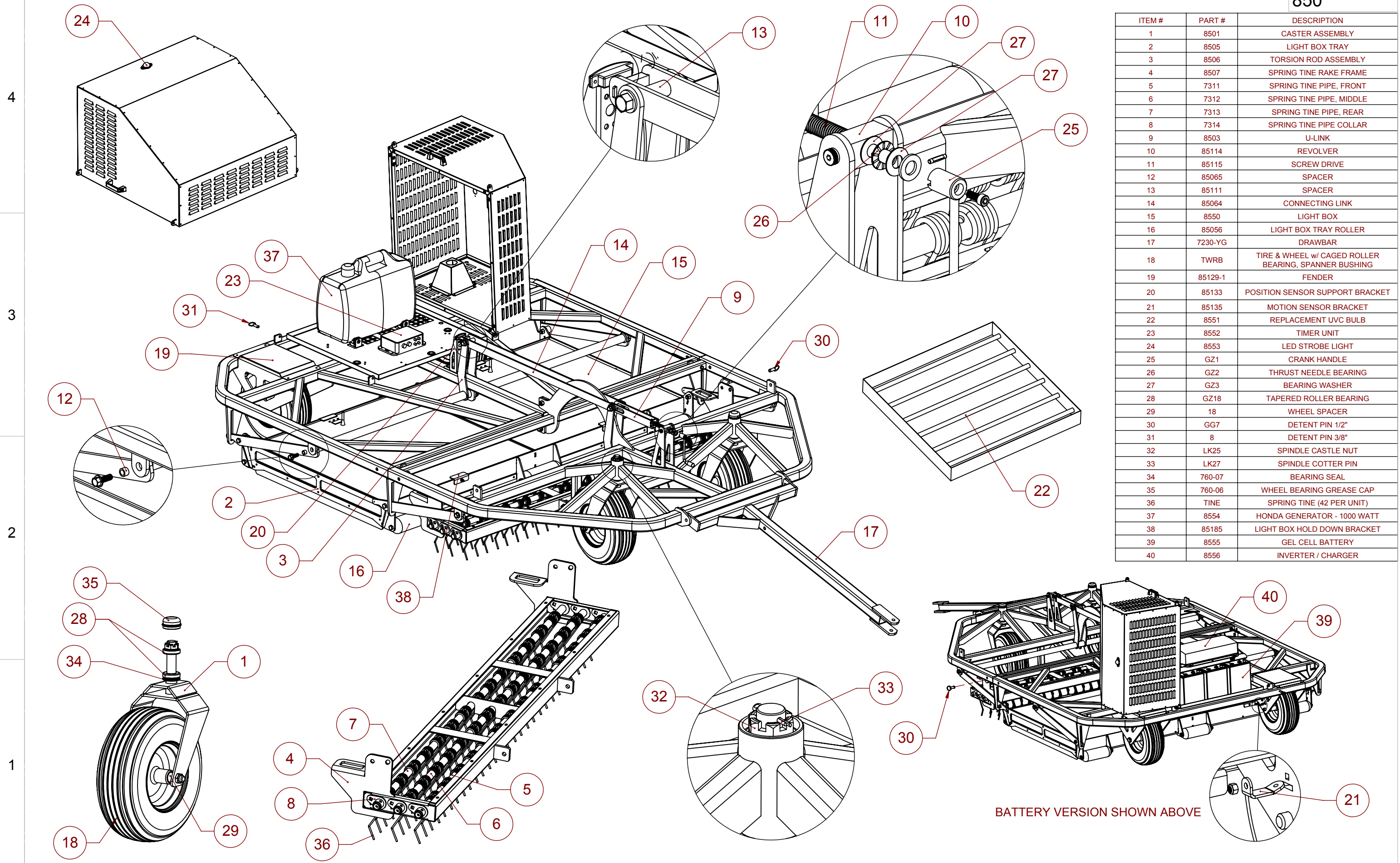


ITEM #	PART #	DESCRIPTION
1	8501	CASTER ASSEMBLY
2	8505	LIGHT BOX TRAY
3	8506	TORSION ROD ASSEMBLY
4	8507	SPRING TINE RAKE FRAME
5	7311	SPRING TINE PIPE, FRONT
6	7312	SPRING TINE PIPE, MIDDLE
7	7313	SPRING TINE PIPE, REAR
8	7314	SPRING TINE PIPE COLLAR
9	8503	U-LINK
10	85114	REVOLVER
11	85115	SCREW DRIVE
12	85065	SPACER
13	85111	SPACER
14	85064	CONNECTING LINK
15	8550	LIGHT BOX
16	85056	LIGHT BOX TRAY ROLLER
17	7230-YG	DRAWBAR
18	TWRB	TIRE & WHEEL w/ CAGED ROLLER BEARING, SPANNER BUSHING
19	85129-1	FENDER
20	85133	POSITION SENSOR SUPPORT BRACKET
21	85135	MOTION SENSOR BRACKET
22	8551	REPLACEMENT UVC BULB
23	8552	TIMER UNIT
24	8553	LED STROBE LIGHT
25	GZ1	CRANK HANDLE
26	GZ2	THRUST NEEDLE BEARING
27	GZ3	BEARING WASHER
28	GZ18	TAPERED ROLLER BEARING
29	18	WHEEL SPACER
30	GG7	DETENT PIN 1/2"
31	8	DETENT PIN 3/8"
32	LK25	SPINDLE CASTLE NUT
33	LK27	SPINDLE COTTER PIN
34	760-07	BEARING SEAL
35	760-06	WHEEL BEARING GREASE CAP
36	TINE	SPRING TINE (42 PER UNIT)
37	8554	HONDA GENERATOR - 1000 WATT
38	85185	LIGHT BOX HOLD DOWN BRACKET
39	8555	GEL CELL BATTERY
40	8556	INVERTER / CHARGER



BATTERY VERSION SHOWN ABOVE

A

B

C

D

E

G